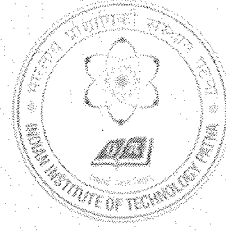


Indian Institute of Technology Patna



Institute Work Department

- Date: 08.06.2022
- Refⁿ: IITP/IWD/RS/NIQ/06/2022

NOTICE INVITING QUOTATION FOR SUPPLYING AND FIXING OF RCC BENCH AND ROUND TABLE WITH BENCHES AT VARIOUS LOCATION OF IIT PATNA.

On behalf of the Institute, The Registrar, Indian Institute of Technology Patna invites quotations for **Supplying and fixing of RCC bench and Round table with bench at various location of IIT Patna Campus** as per details given in **ANNEXURE – I, II & III**, in Single bid system. Sealed bid in single envelope, are hereby invited to reach the undersigned on or before 20.06.2022. It may be dropped in Tender Box which is kept at **ground floor**, Admin Block, IIT Patna. Any Corrigendum/further information (if needed) will be released on IIT Patna Website only, so the interested bidders may like to visit the Institute website **www.iitp.ac.in** for updates.

Presentation of Bid:

Address of the firm submitting the quotation and the officer, to whom the quotation is addressed, must appear distinctly on the sealed cover as under.

LAST DATE FOR SUBMISSION: 20.06.2022 up to 03:00 p.m.

The following must be clearly written on the outer sealed cover:

QUOTATION FOR SUPPLYING AND FIXING OF RCC BENCH AND ROUND TABLE WITH BENCHES AT VARIOUS LOCATION OF IIT PATNA.	
NIQ REF NO: IITP/IWD/RS/NIQ/06/2022 DATED 08.06.2022,	
To,	
The Registrar	
For Institute work department,	
Indian Institute of Technology Patna	
Amhara Road, Bihta,	
Patna – 801106, Bihar, INDIA	
From: M/s _____	
Address: _____	
Contact No.: _____	
Email ID: _____	

Note:- Techno-financial bid includes following

1. **EMD/MSME, NSIC & others certificate is required for calming exemption**
2. **GST Certificate**
3. **PAN card**
4. **Signed copy of Annexure I, II, III (Duly filled)**

Terms & Conditions:

1. **Rates:** Rates quoted for each items must be FOR IIT Patna, on DOOR DELIVERY Basis, with break up as per details below
Break-up of cost:
Basic Price.
(+) GST(on sub-total price)
(+) Any other charges (if applicable)
Grand Total F.O.R. IIT Patna, Price

Sanjay

2. **Validity :** The quoted rate must valid for 90 days from the last date of submission of quotations.
3. **EMD: Rs 3,940/-** in form of DD/BG in favour of '**Registrar, IIT Patna**'. Start-up, NSIC& MSME certificate is required for EMD exemption for RCC bench related work.
4. **Delivery:** 30 days from the date of issue of the Purchase Order. All aspects of safe delivery shall be the responsibility of the Vender.
5. **Taxes:** Agency should have valid GST Certificates & PAN.
6. **Products:-** New stock of materials only can be accepted. Old stock materials cannot be accepted in any case. Agency should supply sample of each items if asked.
Agency should clear their any enquiry before quoting the rate. Afterwards no question will be entertained. IIT decision will be the final decision.
7. **Late and delayed quotation:** Late and delayed quotations will not be considered. In case any unscheduled holiday occurs on prescribed closing/opening date, the next working day shall then automatically be the prescribed date of closing/opening of the quotation with no change in timing.
8. **Ground for Rejection of Quotation:** The quotations are liable to be rejected if the fore going condition are not complied with. The quotation should be complete in all respects and duly signed wherever required. Incomplete and unsigned offer will not be accepted
9. **Payment:** Payment will be made within 30 days from the date of submission of invoice after successful completion and acceptance of goods at IIT Patna. Following information must be clearly written in the quotation for RTGS / FUND TRANSFER: -
Name of the Firm with complete postal address
Name of the Bank with Branch where the Account exist
IFSC CODE
ACCOUNT No
PAN
GSTN
10. **PBG or Security Deposit: - IIT Patna will deduct a sum at the rate of 5% of gross amount of each bill as a security deposit. Security deposit will be refunded after six months of successfully supply of goods at IIT Patna.**
11. **Agency should deliver all the materials in good condition within stipulated time period.** If agency will not supply any of the items in BOQ, agency will be blacklisted for a period of one year from participating in any of the purchase/work related tender of IIT Patna.
12. **Liquidated Damage:** If a firm accepts an order and fails to execute the order in part or in full, as per the terms and conditions stipulated in the Purchase Order, it will be open to the institute to recover the liquidated damages from the firm at the rate of 1% per week of the order subject to a maximum of 10% of the order value. It will also be open to the institute alternatively, to arrange procurement of the required stores from any other source at the risk and expense of the defaulter firm/vendor, which accept the order but failed to execute the order according to stipulated agreed upon.
13. **Termination for default:** Default is said to have occurred
 - a). If the supplier fails to deliver any or all of the goods/ items/ services within the time period(s) specified in the purchase order or any extension thereof granted by IIT Patna.
 - b). If the supplier fails to perform any other obligation(s) under the contract.
 - c). If the vendor, in either of the above circumstances, does not take remedial steps within a period of 30 days after receipt of the default notice from IITP (or takes longer period in spite of what IITP may authorize in writing), IITP may terminate the contract / purchase order in whole or in part. In addition to above, IITP may at its discretion also take the following actions: IITP may procure, upon such terms and in such manner, as it deems appropriate, goods similar to the undelivered items/products and the defaulting supplier shall be liable to compensate IITP for any extra expenditure involved towards goods and services to complete the scope of work
14. **Applicable Law:**
 - a) The contract shall be governed by the laws and procedures established by Govt. of India, within the framework of applicable legislation and enactment made from time to time concerning such Commercial dealings / processing.
 - b) All disputes are subject to exclusive jurisdiction of Competent Court and Forum in Patna, India only.



c) Any dispute arising out of this purchase shall be referred to the Registrar, IIT Patna, and if either of the parties here to dissatisfied with the decision, the dispute shall be referred to the decision of an Arbitrator, who should be acceptable to both the parties, (to be appointed by the Director of the Institute). The decision of such Arbitrator shall be final and binding on both the parties.

Important: The Director may accept or reject any or all the bids in part of in full without assigning any reason and doesn't bind himself to accept the lowest bid. The institute at its discretion may change the quantity / upgrade the criteria / drop any item, at any time before placing the Purchase Order.

Enclosed: ANNEXURE- I, II and Annexure III (Price Bid)

U.S.R. 09/6/22
Registrar, IIT Patna

Affix Rubber Stamp



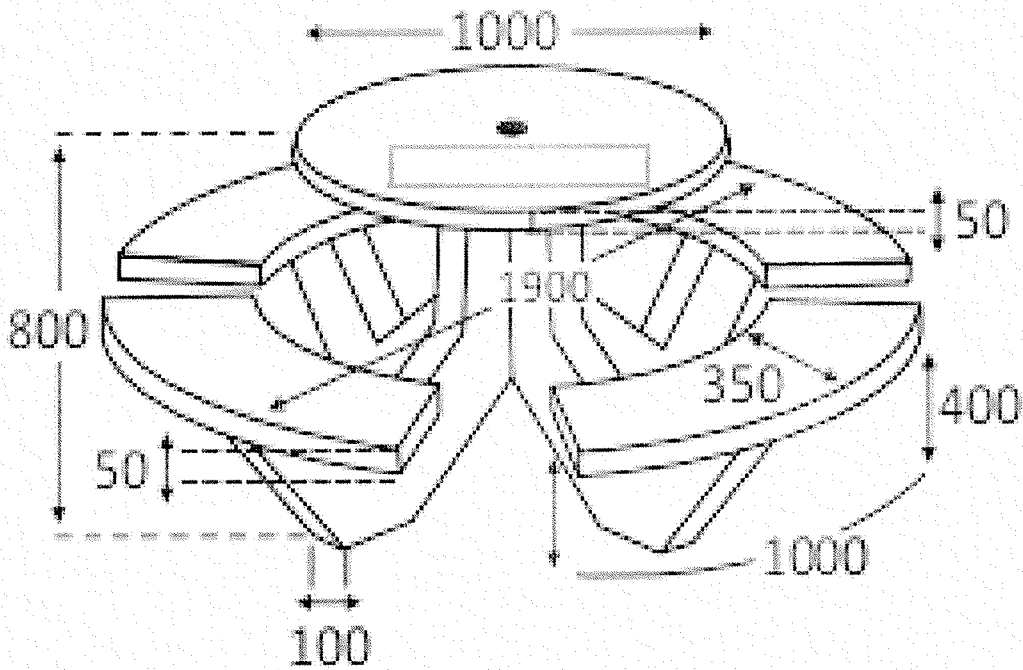
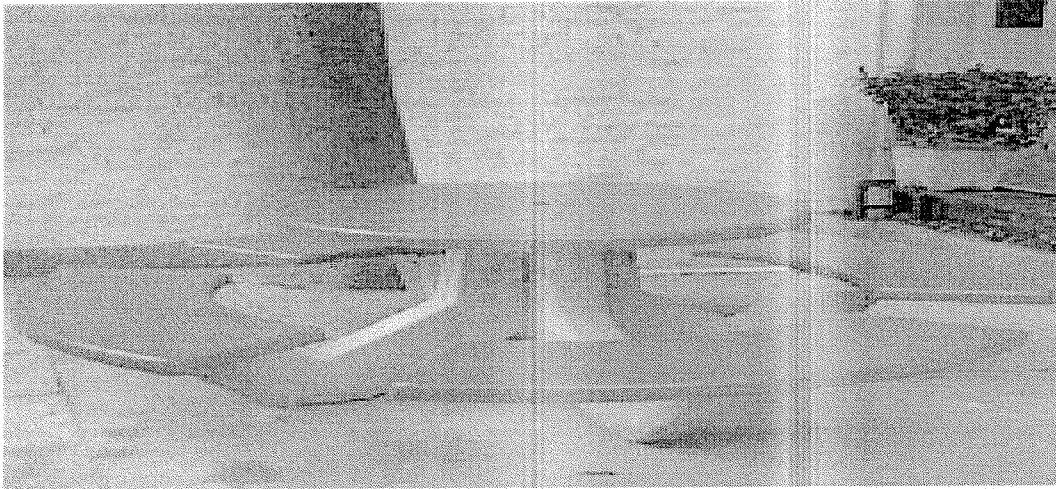
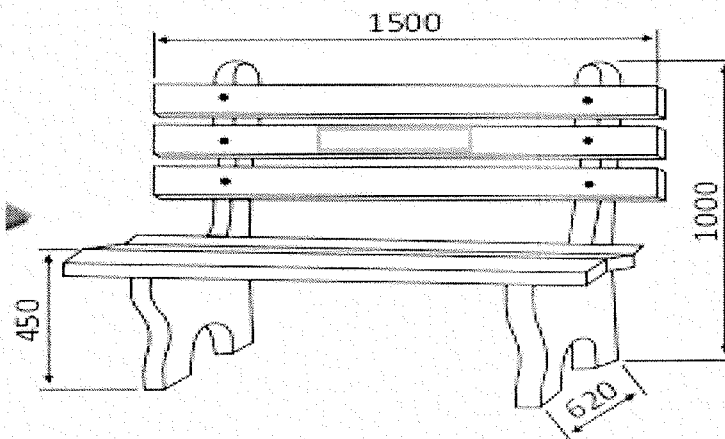
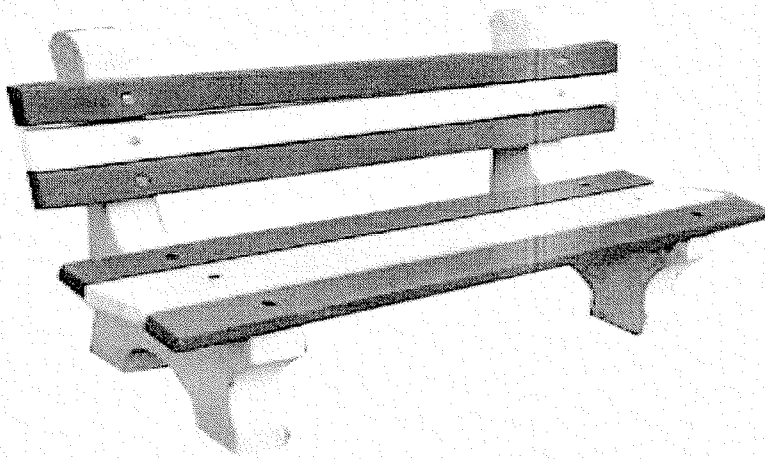


Table size 1000mm dia x 50mm thick , Height of table : 800 mm;
4 Nos. seat with size 1000 length X 350mm width X 50mm thick.
Height of benches:450 mm dia. X 50mm thickness and
4 nos. benches

Sanin m?

RCC Bench



Each bench consists of 2 Nos.L -Shape base support in grey cement color (thickness:100 mm, Back height:1000 mm, front height : 450 mm, Base width : 620mm) and 5 Nos. reinforced concrete planks in red color of size 1500mm X 100mm X 50mm, and 1 No. of reinforced concrete plank of size 1500mm X 200mm X50mm. Overall Dimensions: Seating length of the Bench:1500 mm. Seating height of theBench:450 mm. Total height of the Bench : 1000 mm

Samin ali

Annexure-II

Specification

Concrete Mix Design: - M30 Grade concrete mix in accordance with IS 10269: 2009 by using vibrio compaction Technique with reinforcement. Compressive strength shall not be less than 30MPa at 28 days.

Reinforcement Details: - TMT reinforcement bar conforming to IS 1786:2008 of dia 10mm will be used as main bar and 4mm as stirrups.

Connection/Fixing: - A) CSK bolts 12mm X 65mm with EVA washer for connecting nut with steel Washer for connecting back rest planks with leg.

B) Fastener shall confirms IS 1367

Paint/Colour: - Red paint confirming to IS 15489 will be used (Other colour can be used depending on client/Engineer-in-charge).

Suman Mehta

PRICE BID

Name of the Work:- Supplying and fixing of RCC bench and Round table at various location of IIT Patna Campus.

Sl. No.	Description of Item	Unit	Quantity	Rate(Including all taxes)	Amount
1	Supplying and fixing of RCC bench as per Annexure-I.	Nos	13		
2	Supplying and fixing of RCC round table with bench as per Annexure-I.	Nos	4		
Total Amount					

1. The above rate is FOR IIT Patna at Bihta Campus. This includes all taxes, transportation, installation etc.
2. Dimension of various size may changr by +/- 10mm.

Signature & stamp of Agency